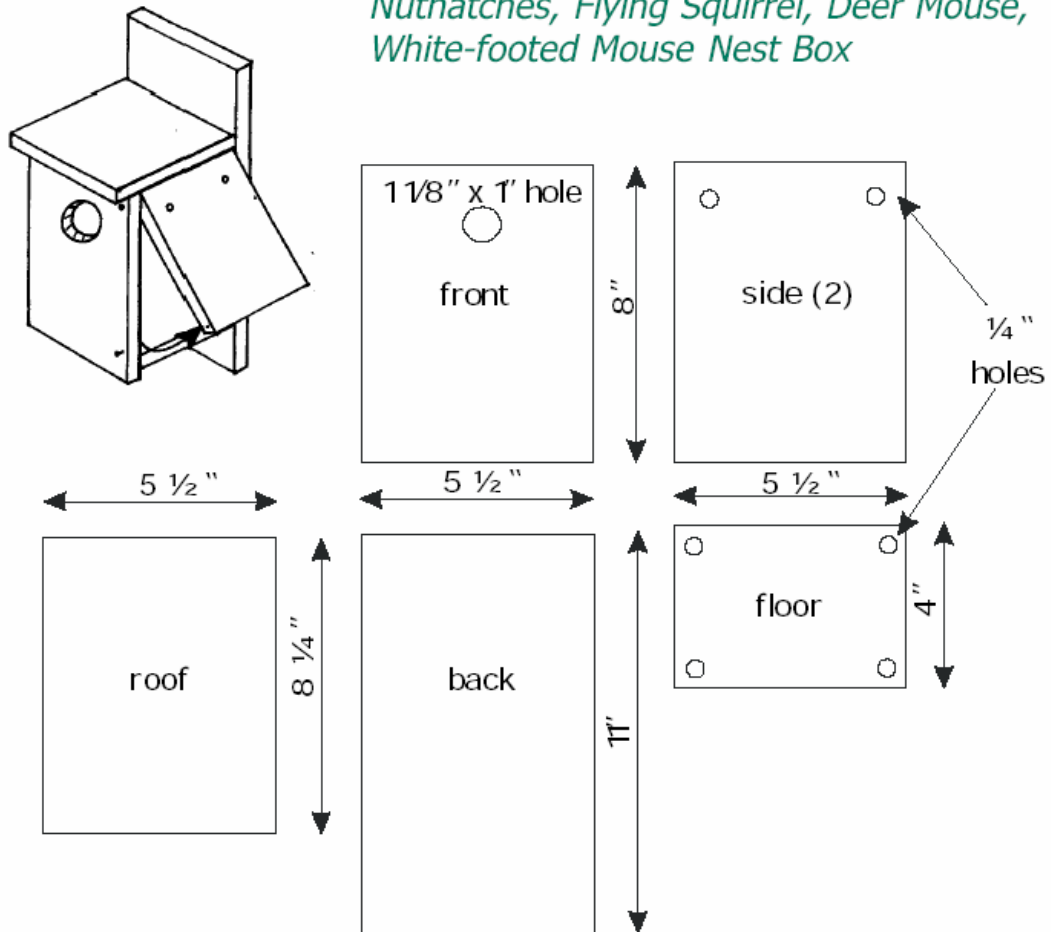


*House Wren, Black-capped Chickadee,
Nuthatches, Flying Squirrel, Deer Mouse,
White-footed Mouse Nest Box*



Two "pivot" nails, one top front and one top back, allow side to swing out for cleaning. Use one nail or screw at bottom to hold side closed. Nuthatches and flying squirrels require an entrance hole that is $1\frac{1}{4}$ " in diameter. Also, remember that a hole larger than $1\frac{1}{8}$ " in diameter will admit house sparrows.